

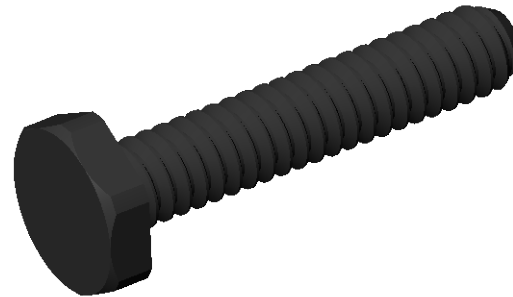
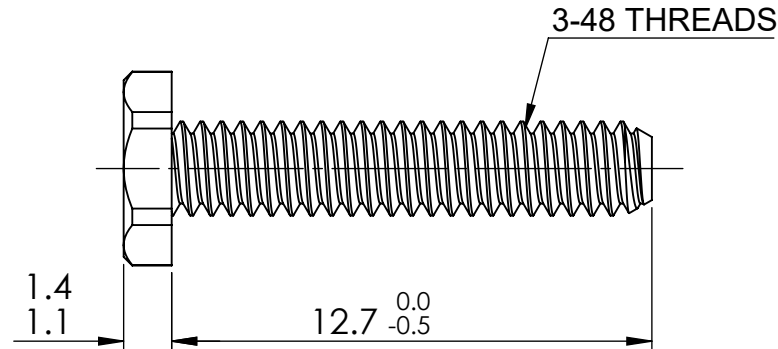
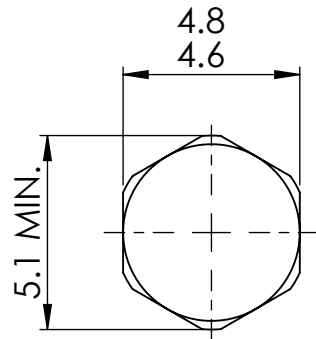
© 2013 Essentra Components. All rights reserved.  
 Registered in England, Company No. 547495.  
 Registered Office: Essentra plc  
 Langford Locks, Kidlington, Oxford, OX5 1HX

Condition of Sale can be found on our website: [essentra.com](http://essentra.com).

Essentra Components does not warrant that the files will be error free and may create new versions ("Upgrades") at any time, which may correct such errors. Essentra Components has no obligation to notify you of such upgrades. Any upgraded file will be published to the website, when it becomes available.

You are not permitted to load any of the files on to a network server for the purposes of distribution to one or more other computer(s) on that network or to effect such distribution. Essentra Components shall not be liable for any loss or damage whatsoever or however caused, arising directly or indirectly from the use of the files.

**UNCONTROLLED COPY**



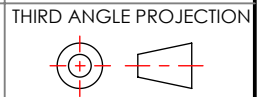
STATUS **APPROVED DRAWING**

UNLESS OTHERWISE STATED

ALL DIMENSIONS IN MM

DO NOT SCALE

LINEAR TOLERANCE			
SIZE	(0)	(0.0)	(0.00)
0-10	±0.5	±0.15	±0.10
>10-30	±0.5	±0.20	±0.15
>30-50	±0.5	±0.30	±0.20
>50-100	±0.8	±0.50	±0.25
>100-200	±1.5	±0.80	±0.40
>200-300	±2.0	±1.20	±0.80
>300-500	±3.0	±2.00	±1.00
>500	±5.0	±3.00	±1.50



THIRD ANGLE PROJECTION  
 ANGULAR TOLERANCE ±0.5 DEGREES  
 UNSPECIFIED RADII 0.25mm  
 DRAFT ANGLE 0.5 DEGREES  
 DIMENSIONS IN PARENTHESES ( )  
 ARE FOR REFERENCE ONLY

ITEM CODE	20798413	CREATE DATE	04/03/2025
LEGACY CODE	010348H050B	MATERIAL	PA66
		COLOUR	BLACK
		FINISH	-

TITLE:  
 HEX HEAD M/S

DWG. No.	20798413	SCALE	5:1	ISSUE	1
		SHEET	1 of 2		

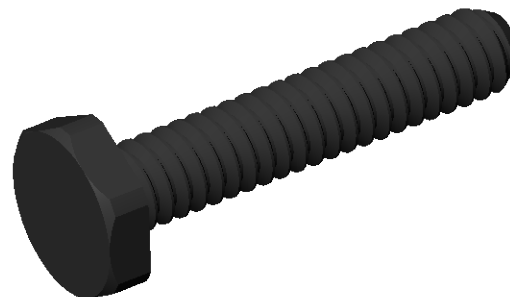
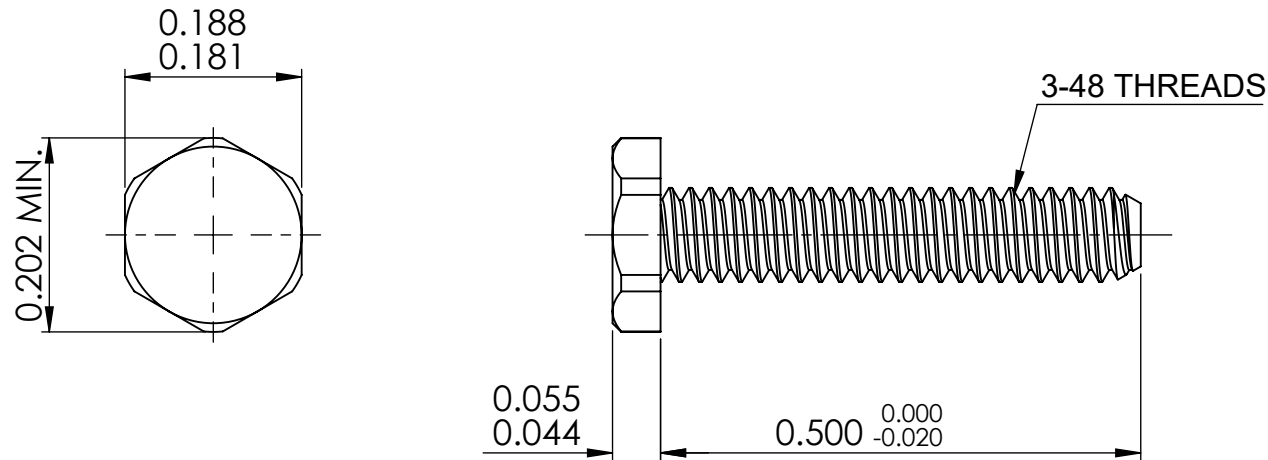
© 2013 Essentra Components. All rights reserved.  
 Registered in England, Company No. 547495.  
 Registered Office: Essentra plc  
 Langford Locks, Kidlington, Oxford, OX5 1HX

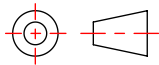
Condition of Sale can be found on our website: [essentra.com](http://essentra.com).

Essentra Components does not warrant that the files will be error free and may create new versions ("Upgrades") at any time, which may correct such errors. Essentra Components has no obligation to notify you of such upgrades. Any upgraded file will be published to the website, when it becomes available.

You are not permitted to load any of the files on to a network server for the purposes of distribution to one or more other computer(s) on that network or to effect such distribution. Essentra Components shall not be liable for any loss or damage whatsoever or however caused, arising directly or indirectly from the use of the files.

**UNCONTROLLED COPY**



STATUS		APPROVED DRAWING	
UNLESS OTHERWISE STATED			
ALL DIMENSIONS IN inches		DO NOT SCALE	
LINEAR TOLERANCE		THIRD ANGLE PROJECTION	
SIZE	(0.00) (0.000) (0.0000)		
0 - 0.394	±0.020 ±0.006 ±0.004	ANGULAR TOLERANCE ±0.5 DEGREES	
>0.394 - 1.181	±0.020 ±0.008 ±0.006	UNSPECIFIED RADII 0.25mm	
>1.181 - 1.969	±0.020 ±0.012 ±0.008	DRAFT ANGLE 0.5 DEGREES	
>1.969 - 3.937	±0.031 ±0.020 ±0.010	DIMENSIONS IN PARENTHESIS ( ) ARE FOR REFERENCE ONLY	
>3.937 - 7.874	±0.059 ±0.031 ±0.016		
>7.874 - 11.811	±0.079 ±0.047 ±0.031		
>11.811 - 19.685	±0.118 ±0.079 ±0.039		
>19.685	±0.197 ±0.118 ±0.059		
ITEM CODE	20798413	04/03/2025	CREATE DATE
LEGACY CODE	010348H050B	PA66	MATERIAL
		BLACK	COLOUR
		-	FINISH
TITLE: HEX HEAD M/S			
DWG. No.	20798413		SCALE 5:1 ISSUE 1 SHEET 2 of 2